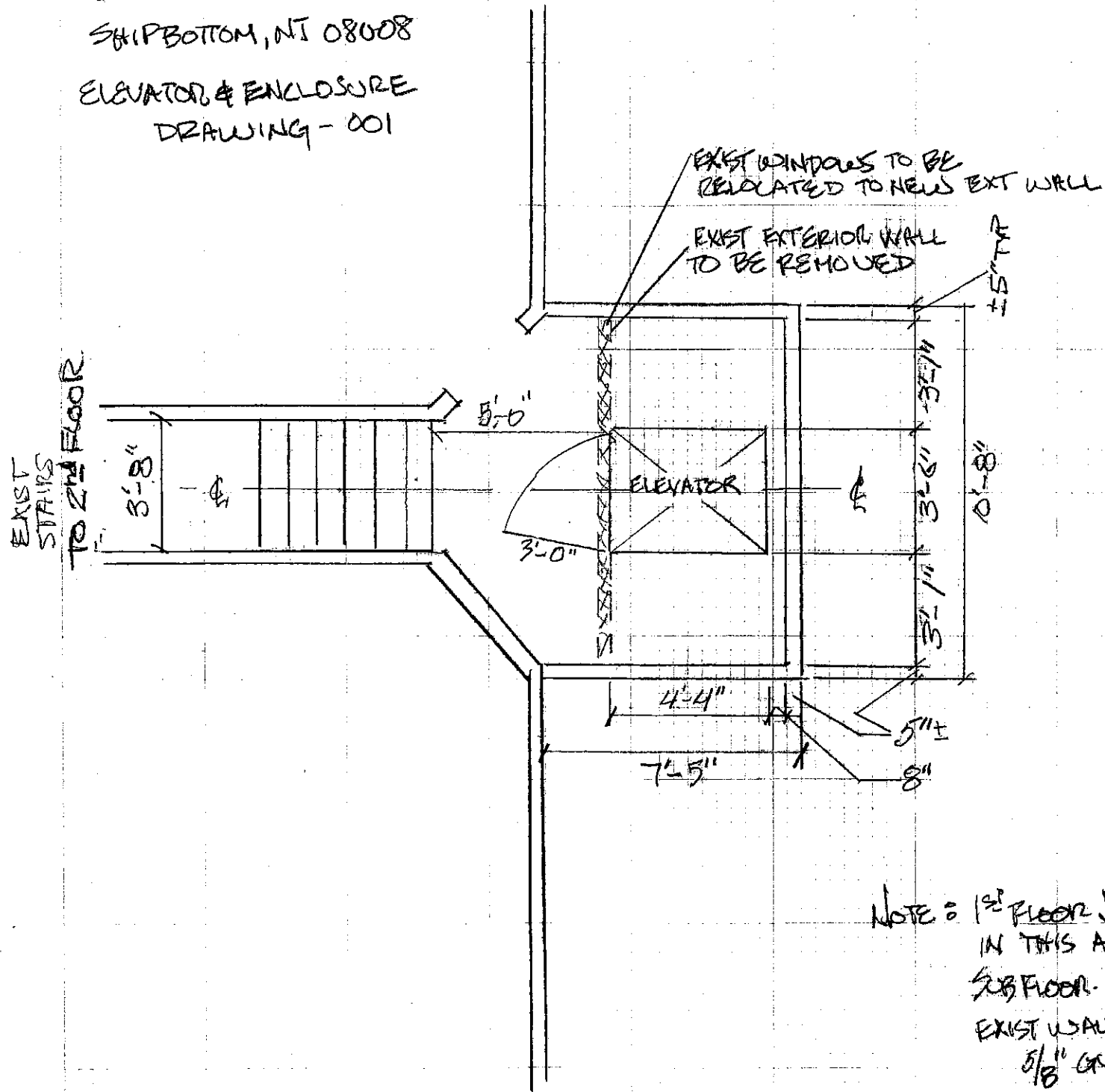
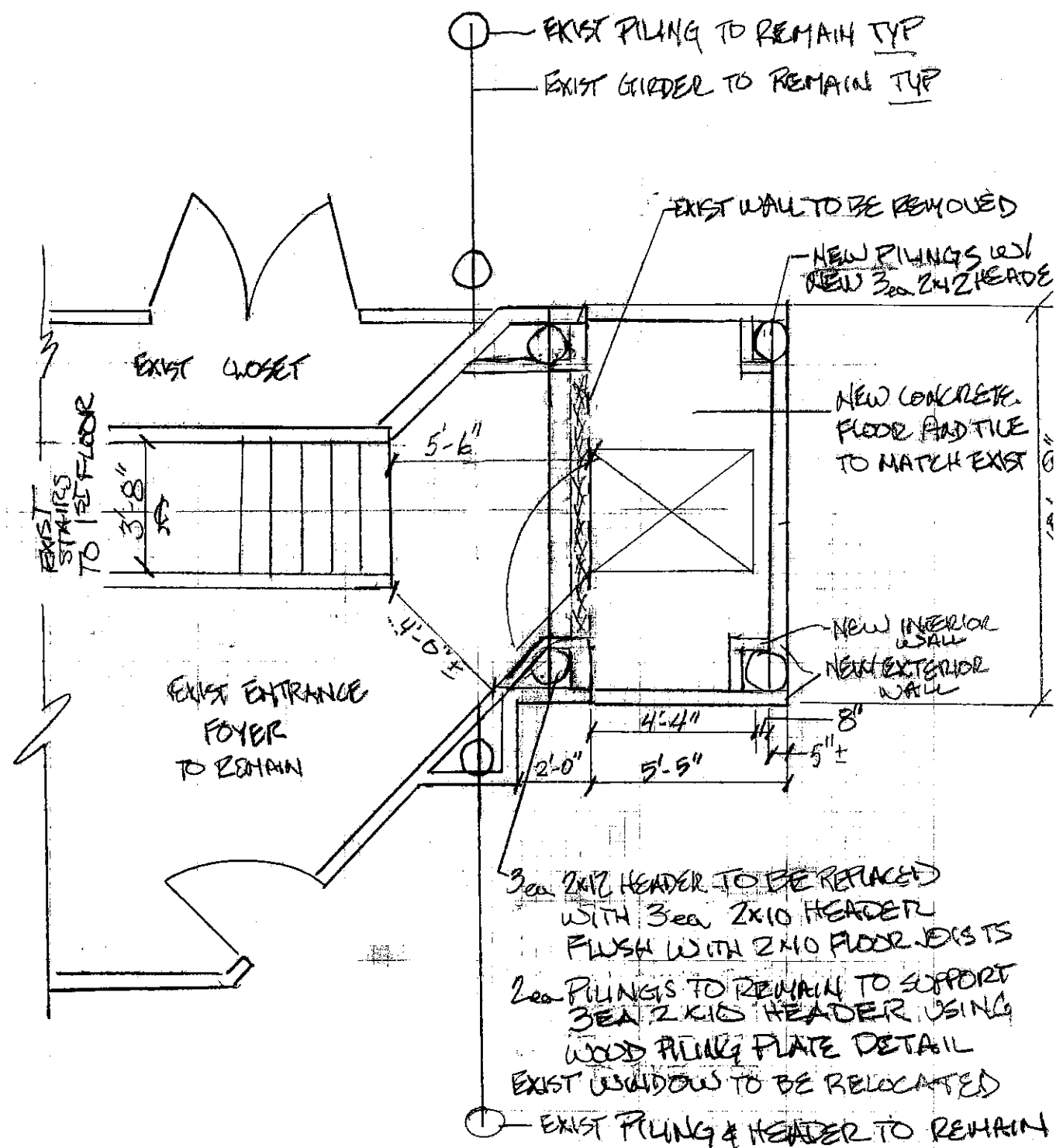


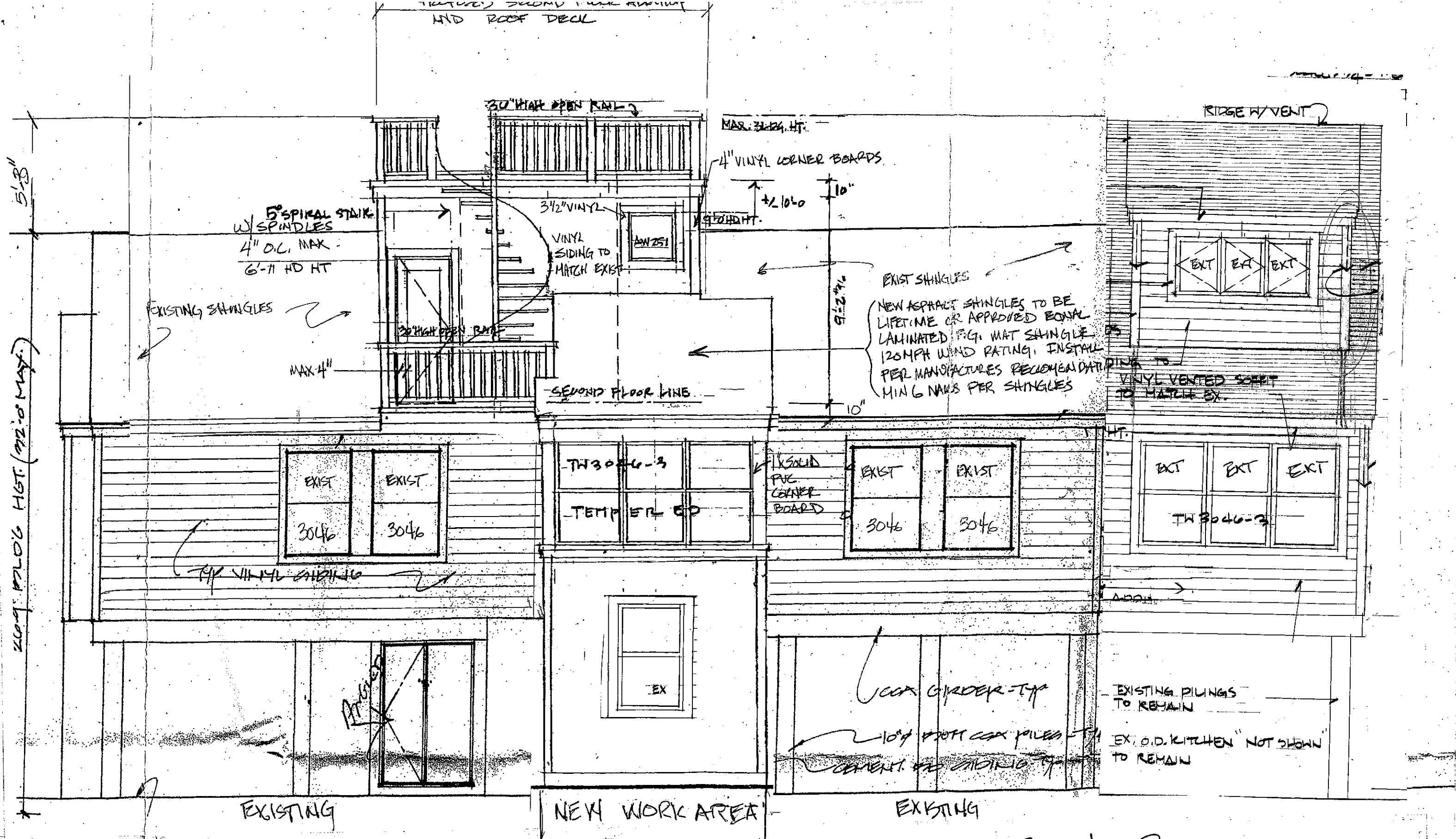
RALPH VIOLA  
 619 CENTRAL AVE  
 SHIPBOTTOM, NJ 08008  
 ELEVATOR & ENCLOSURE  
 DRAWING - 001



1<sup>ST</sup> FLOOR PLAN  
 SCALE 1/4" = 1'-0"



GROUND FLOOR  
PILING PLAN  
 SCALE 1/4" = 1'-0"

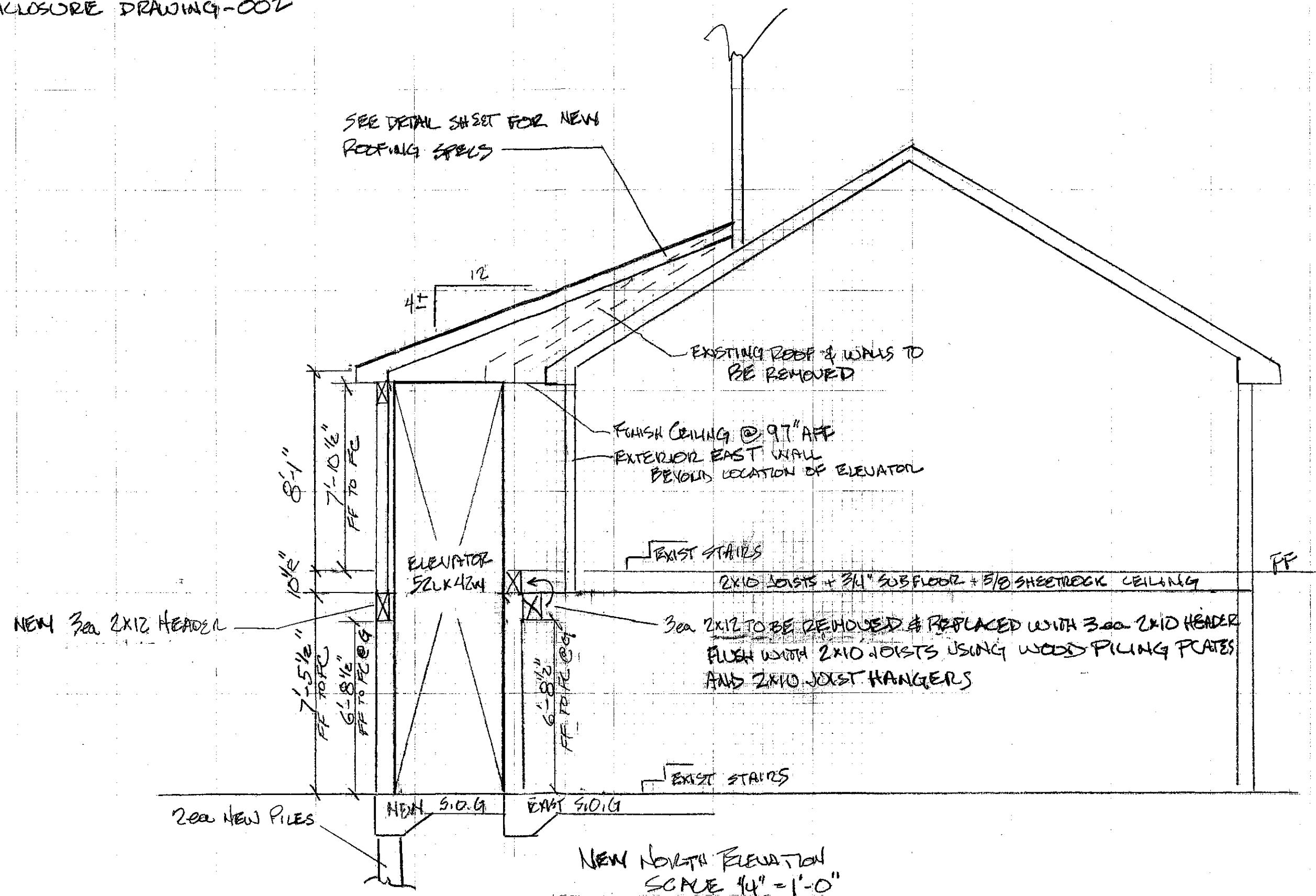


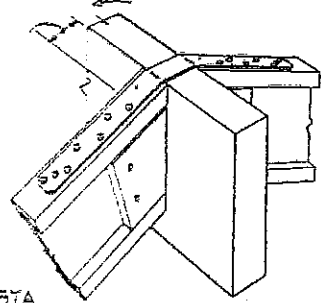
NEW EAST ELEV.  
SCALE 1/4" = 1'-0"

RALPH VIOLA RESIDENCE  
619 CENTRAL AVENUE  
SHIP BOTTOM, New Jersey  
07008

RALPH VIOLA  
619 CENTRAL AVENUE  
SHIPPINGTON, NT 08008

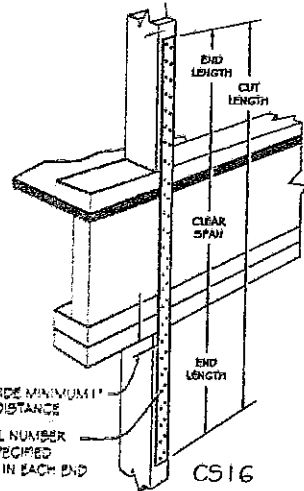
ELEVATOR & ENCLOSURE DRAWING-002





LSTA

RAFTER TO RIDGE CONNECTIONS : SIMPSON LSTA36 OR EQUAL AT 32" O.C.

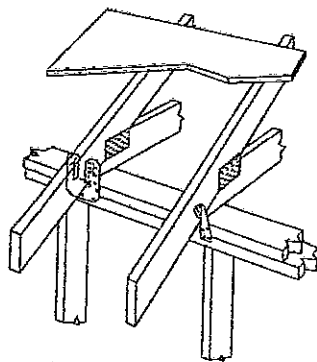


PROVIDE MINIMUM 1" END DISTANCE  
EQUAL NUMBER OF SPECIFIED NAILS IN EACH END

CS16

STRAP EACH FULL HEIGHT STUD TO TOP PLATE ABOVE ON EITHER SIDE OF EACH WINDOW/DOOR HEADER USING SIMPSON CS16 OR EQUAL COIL STRAP TIES.

STRAP STUD TO STUD OVER FLOOR BOX W/ 48" LONG COIL STRAP ONLY WHERE PLYWOOD LAP IS NOT PRACTICAL.



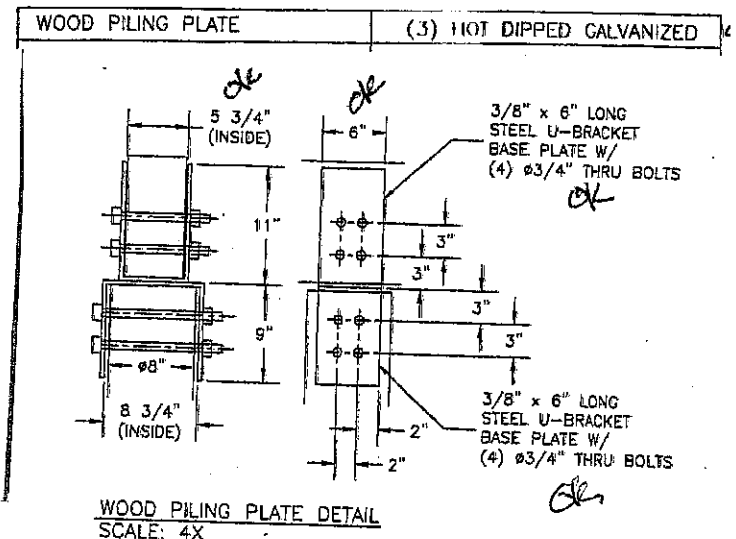
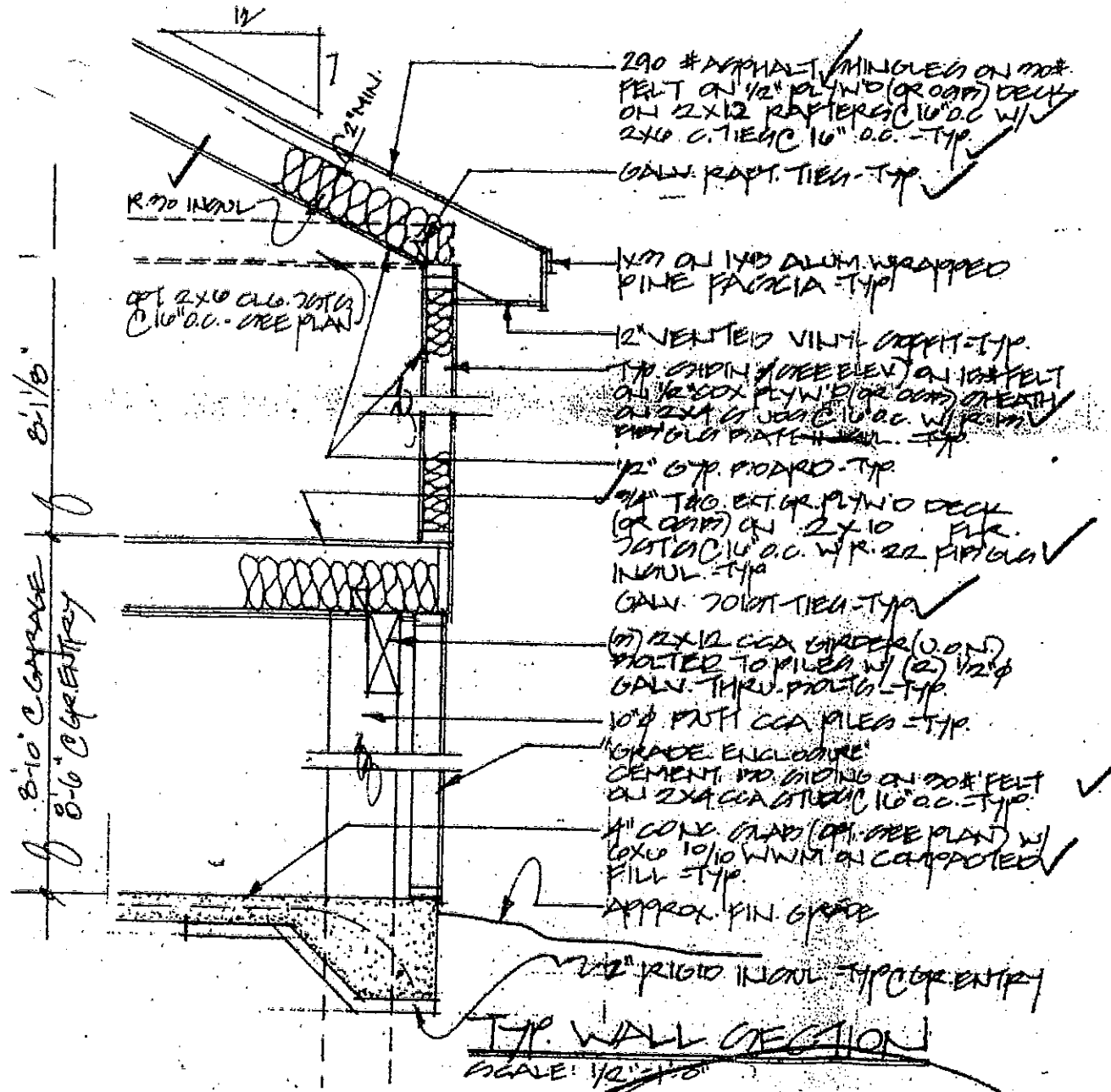
H10

H2.5

RAFTER CONNECTIONS : SIMPSON H10-S OR EQUAL HURRICANE TIES (H10-2 OR LGT-2 IN AREAS WITH CEILING JOISTS)  
FLOOR JOIST TO GIRDER CONNECTIONS : (2) SIMPSON H2.5

# STRAPPING DETAILS

N.T.S.



NOTES:  
1) ALL DIMENSIONS TO BE VERIFIED  
2) FINISH: GRAY PRIMER U.N.O.

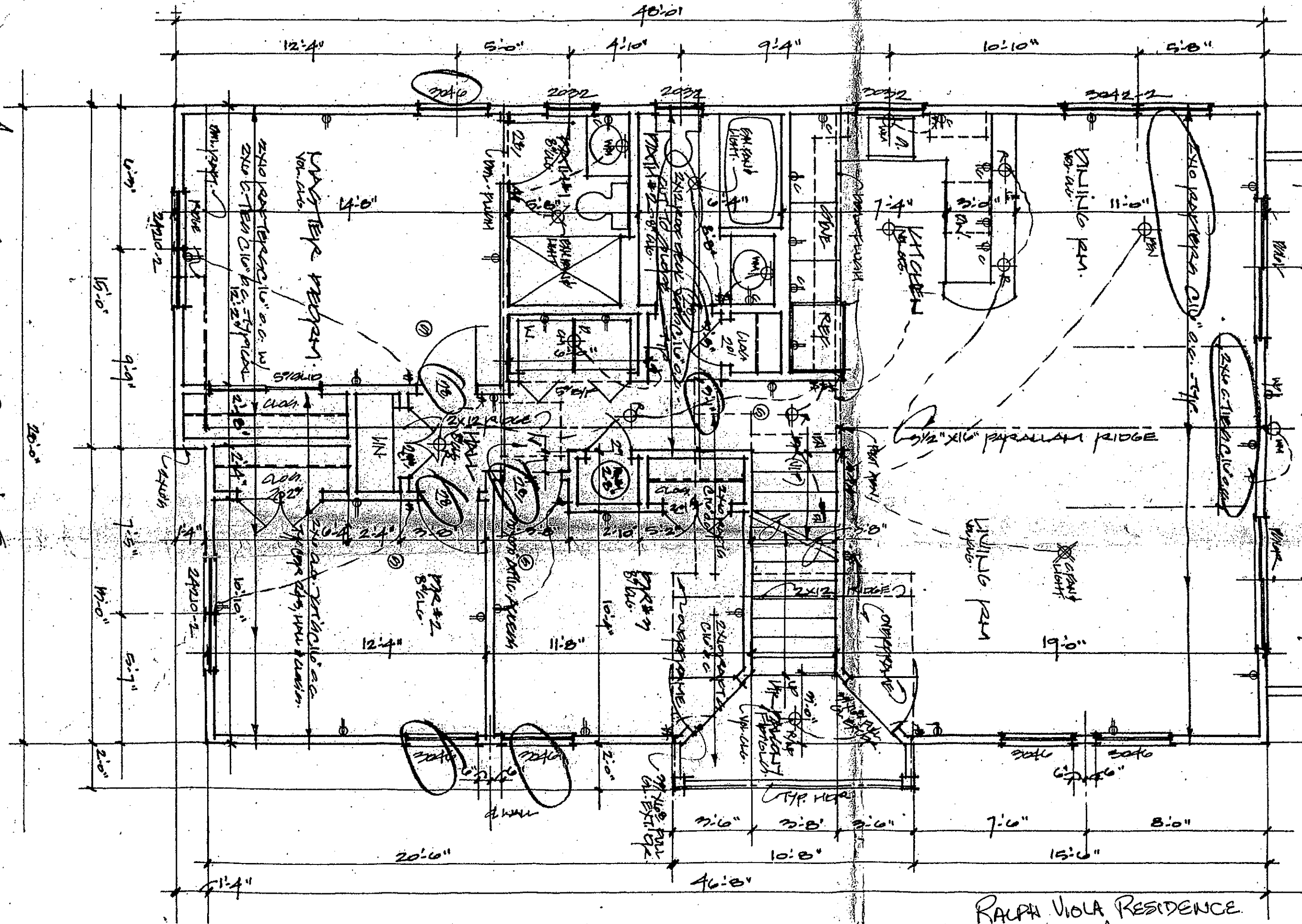
## GENERAL NOTES:

- all work to comply with all applicable federal, state, county, and local codes and ordinances.
- any questions or proposed changes to the drawings shall be brought to architect's attention prior to proceeding with any work.
- all piles to be 10" diameter butt CCA treated, jetted and driven to -10.00' M.S.L. & shall attain a minimum bearing capacity of 10 tons.
- concrete : 3000 P.S.I. @ 28 days, conc. & reinf. Per ACI code 301.347 & detailing manual
- framing notes: ALL LUMBER TO BE HEM/FIR #2 STRUCTURAL. provide solid bridging at all mid-spans, headers to be (2) 2x 12's (unless otherwise noted), double all joists below parallel walls, cabinetry, showers, etc.
- all hvac equipment & ductwork & HWH to be installed above base flood elevation.
- all smoke detectors are ac/dc interconnected devices.
- stair risers to be solid with a max. rise of 8", treads to be a min. of 10".
- all open rails shall have pickets spaced to prevent passage of a 4" diameter sphere. all handrails at stairs to be graspable.

## CONSTRUCTION DETAILS

RALPH VIOLA RESIDENCE  
699 CENTRAL AVENUE  
SAMP BOSTON, NJ 08008

1st FLOOR PLAN EXISTING  
 SCALE: 1/4" = 1'-0"



RALPH VIOLA RESIDENCE  
 619 CENTRAL AVENUE  
 SHIP BOTTOM, NJ 08008

